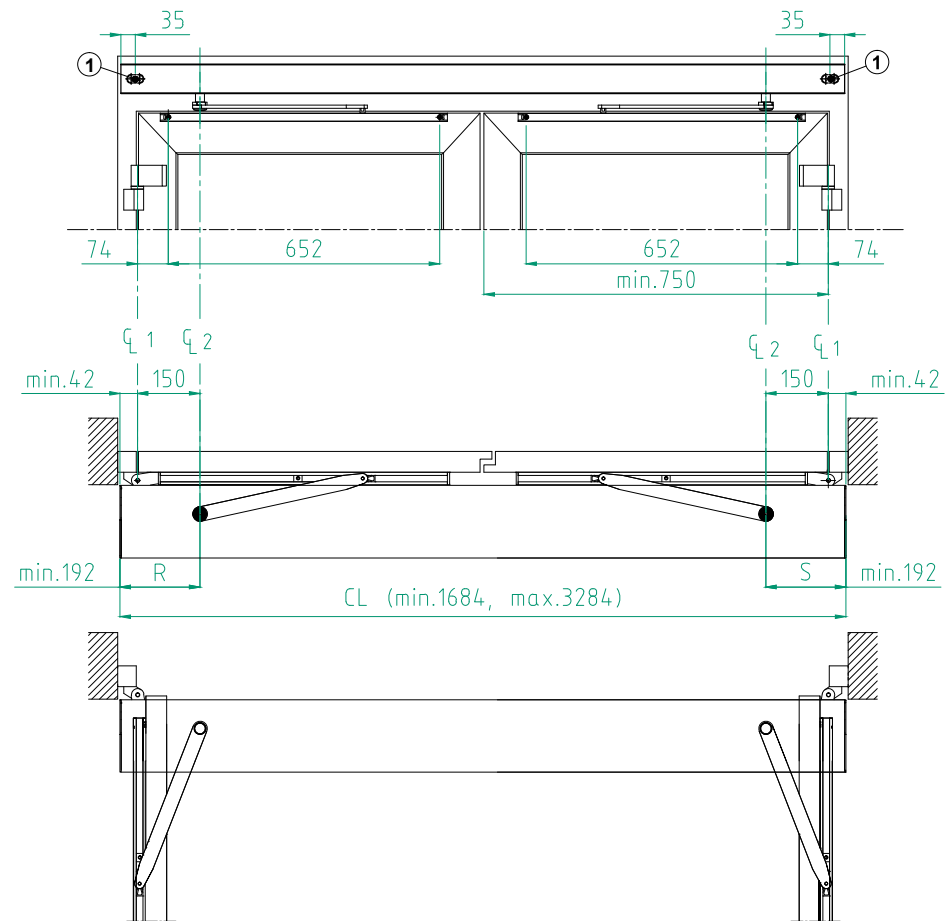
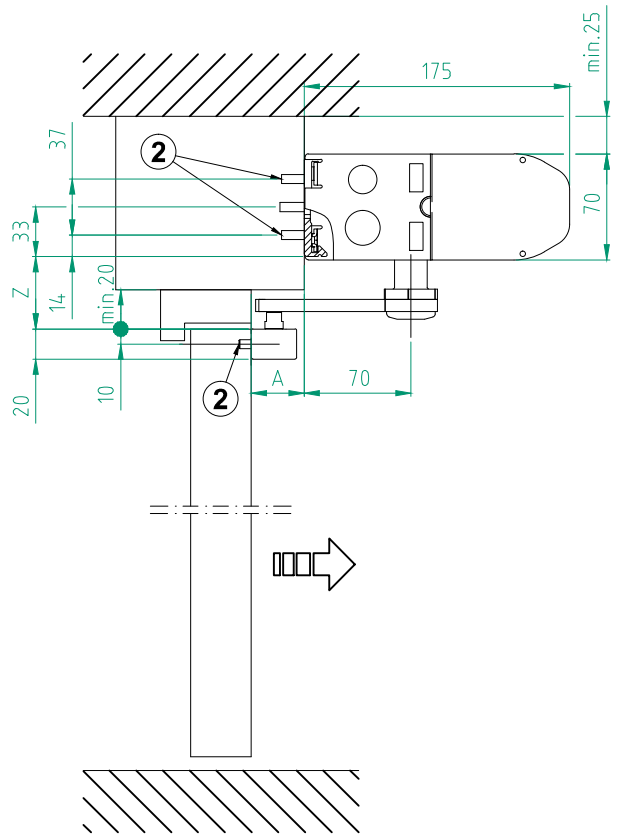


© All rights in and to this material are the sole property of Entrematic AB. Copying, scanning, alterations or modifications are expressly forbidden without the prior written consent of Entrematic AB. Rights reserved for changes without prior notice.



**STATE WHEN ORDERING**

- Surface treatment**  
 Silver anodized  
 Special anodized .....  
 RAL .....  
 Special powder coating .....  
 .....

- Cover end plates**  
 BK  
 SI

- Basic  
 Fire door  
 Connection box  
 Connection plug

- Options see layers:**  
 Cover Modular, CL = ..... mm  
 Cover Full length, CL = ..... mm  
   R = ..... mm  
   S = ..... mm  
 If R and S are set to "0", no cutouts will be made.

- ∅ 1 = Hinges  
 ∅ 2 = Operator drive shaft  
 A = Reveal -20mm to 130mm  
 1 = Cable inlet  
 2 = Reinforcements required

Z	Shaft extension
48	0
68	20
98	50
118	70

Customer: \_\_\_\_\_  
 Door id: \_\_\_\_\_  
 Project No: \_\_\_\_\_

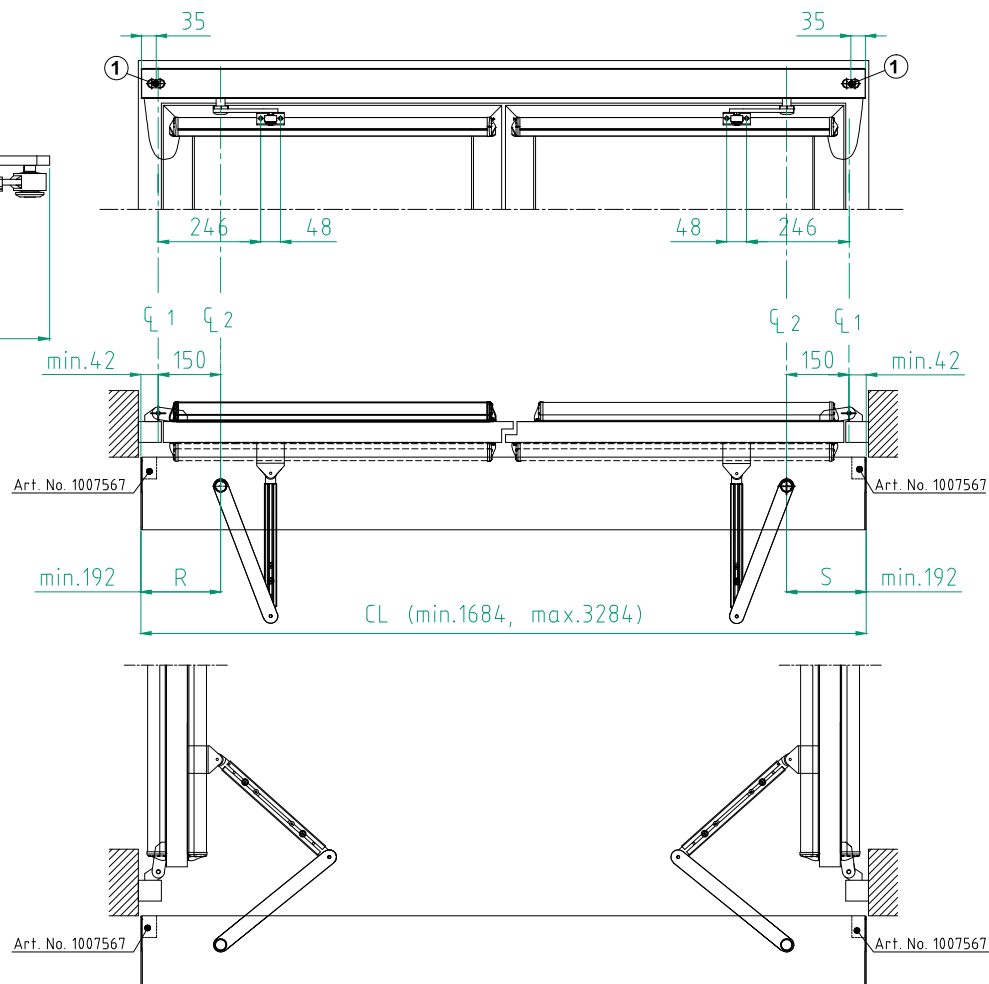
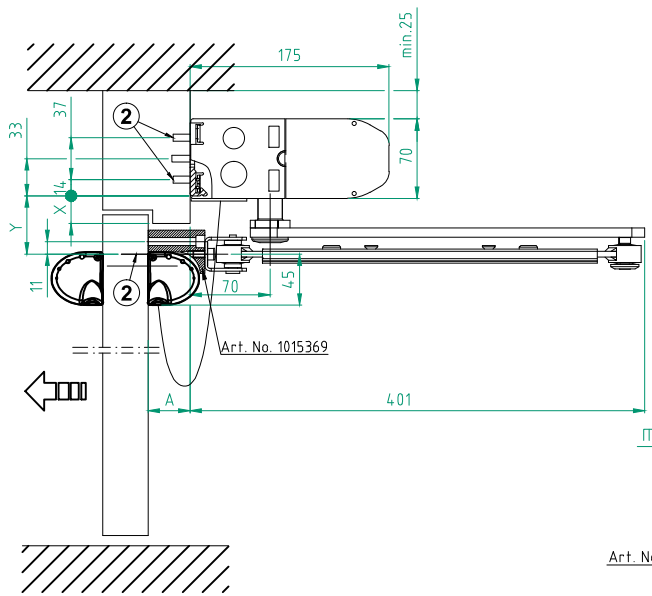
Ref: \_\_\_\_\_  
 Date: \_\_\_\_\_  
 Sign: \_\_\_\_\_

**Swing door operator**  
**EM PSW250-2**  
**PULL**

**ENTRE/MATIC**

15.0 1009172-EMen

© All rights in and to this material are the sole property of Entrematic AB. Copying, scanning, alterations or modifications are expressly forbidden without the prior written consent of Entrematic AB. Rights reserved for changes without prior notice.



Extension	A
0	0-22
345	22-137
230+joint part	137-252
345+230+joint part	252-367

**STATE WHEN ORDERING**

- Surface treatment**
- Silver anodized
  - Special anodized .....
  - RAL .....
  - Special powder coating .....
  - .....

- Cover end plates**
- BK
  - SI

- Basic
- Fire door
- Connection box
- Connection plug

- Options see layers:**
- Cover Modular, CL = ..... mm
  - Cover Full length, CL = ..... mm
  - R = ..... mm
  - S = ..... mm
- If R and S are set to "0", no cutouts will be made.

- C 1 = Hinges  
 C 2 = Operator drive shaft
- 1 = Cable inlet  
 2 = Reinforcements required

X	Y	Shaft extension
2-25	51	0
25-45	71	20
45-75	101	50
75-95	121	70

Customer: \_\_\_\_\_

Door id: \_\_\_\_\_

Project No: \_\_\_\_\_

Ref: \_\_\_\_\_

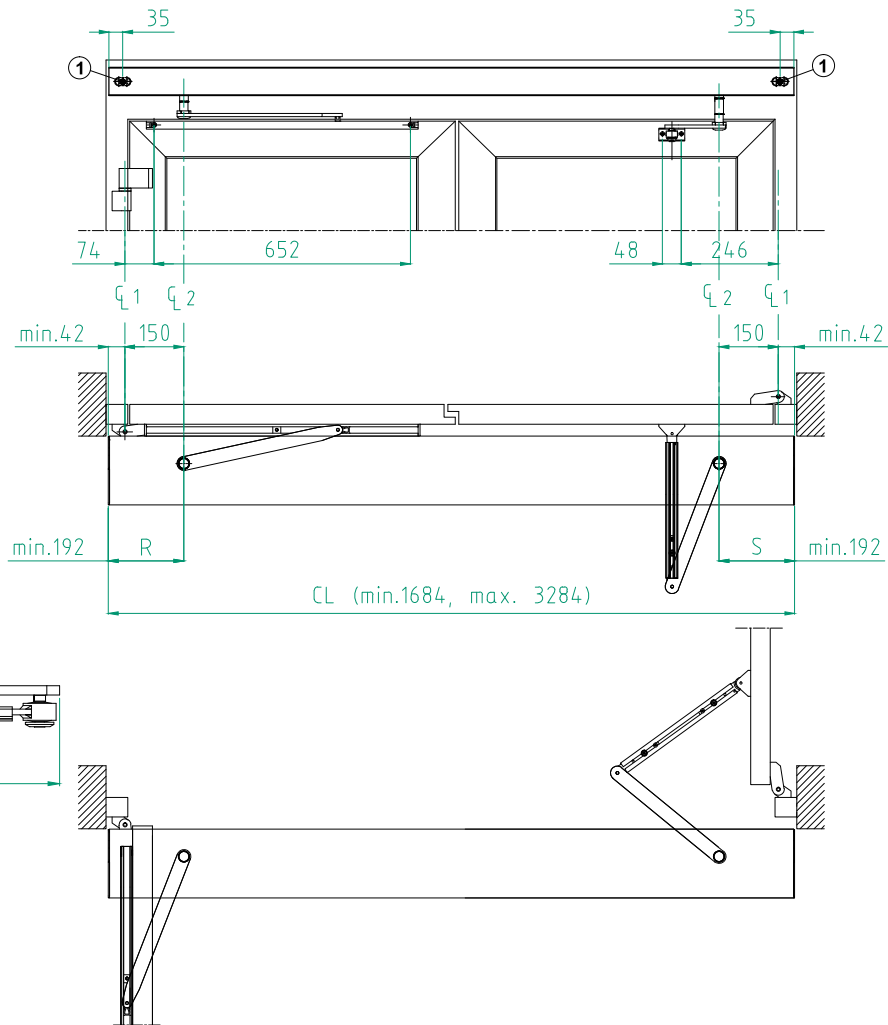
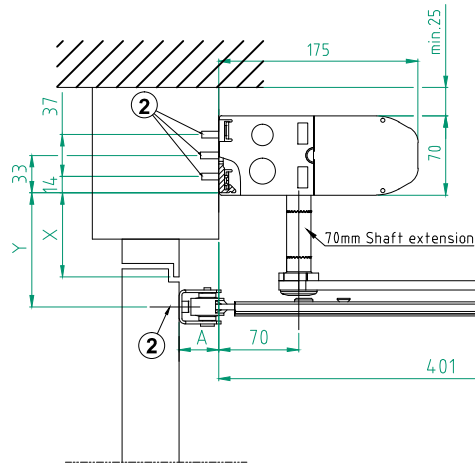
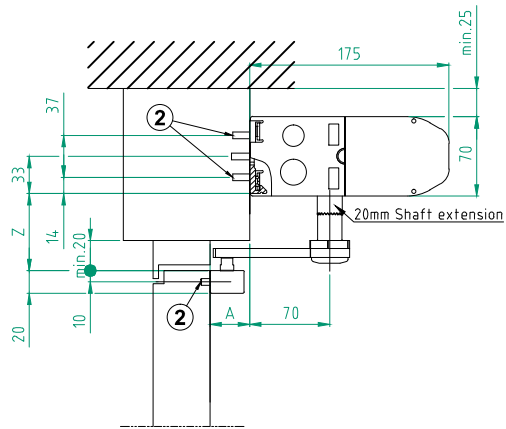
Date: \_\_\_\_\_

Sign: \_\_\_\_\_

**Swing door operator**  
**EM PSW250-2**  
**PUSH**

**ENTREMATIC**

15.0 1009172-EMen



**STATE WHEN ORDERING**

Surface treatment

- Silver anodized
- Special anodized .....
- RAL .....
- Special powder coating .....
- .....

Cover end plates

- BK
- SI
  
- Basic
- Fire door
- Connection box
- Connection plug

Options see layers:

- Cover Modular, CL = ..... mm
- Cover Full length, CL = ..... mm
- R = ..... mm
- S = ..... mm

If R and S are set to "0", no cutouts will be made.

- ∅ 1 = Hinges
- ∅ 2 = Operator drive shaft
- A = Reveal 0mm to 22mm, optional 130mm
- 1 = Cable inlet
- 2 = Reinforcements required

Z	Pull Shaft extension
48	0
68	20

X	Y	Push Shaft extension
45-75	101	50
75-95	121	70

Customer: \_\_\_\_\_

Door id: \_\_\_\_\_

Project No: \_\_\_\_\_

Ref: \_\_\_\_\_

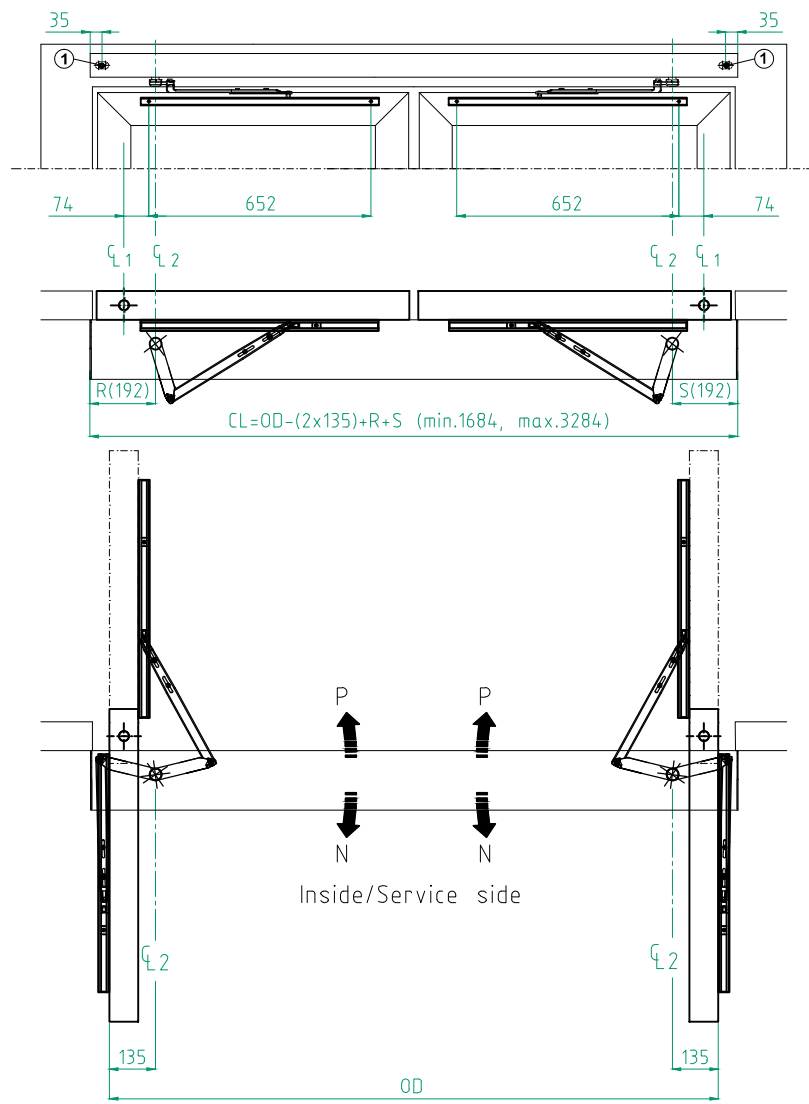
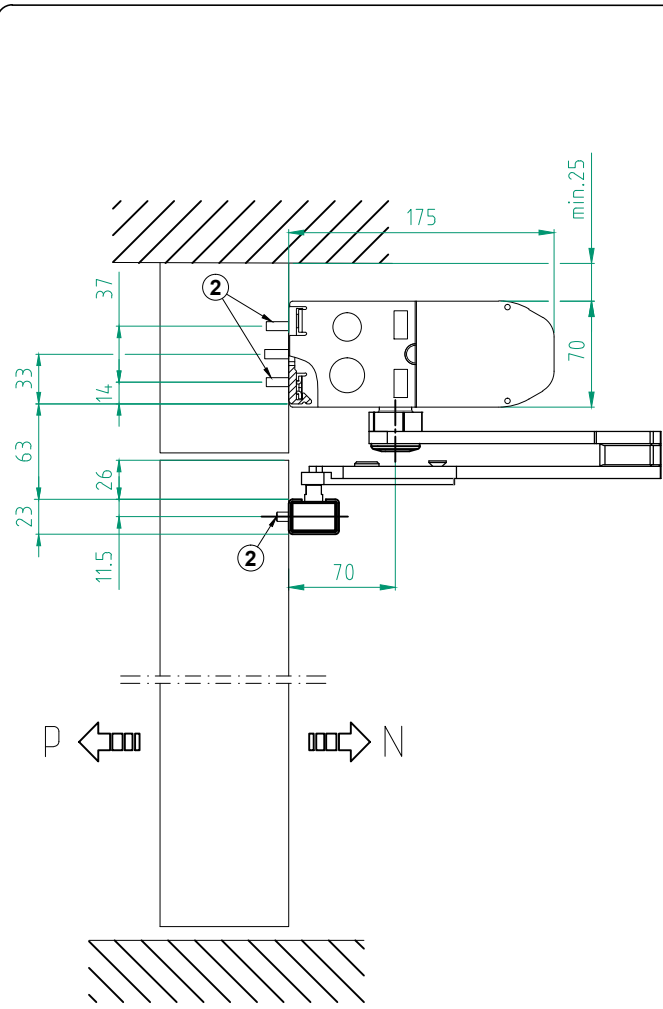
Date: \_\_\_\_\_

Sign: \_\_\_\_\_

**Swing door operator**  
**EM PSW250-2**  
**PULL+PUSH**

  
**15.0** 1009172-EMen

© All rights in and to this material are the sole property of Entrematic AB. Copying, scanning, alterations or modifications are expressly forbidden without the prior written consent of Entrematic AB. Rights reserved for changes without prior notice.



**STATE WHEN ORDERING**

- Surface treatment**
- Silver anodized
  - Special anodized .....
  - RAL .....
  - Special powder coating .....

- Cover end plates**
- BK
  - SI
  
  - Basic
  - Fire door
  - Connection box
  - Connection plug

OD = ..... mm  
 CL = ..... mm  
 If R and S are set to "0", no cutouts will be made.

- ⌀1 Pivot point
- ⌀2 Operator drive shaft
- 1 Cable inlet
- 2 Reinforcements required
- OD Outside doors
- N Normal opening direction
- P Escape opening direction

Customer: \_\_\_\_\_

Door id: \_\_\_\_\_

Project No: \_\_\_\_\_

Ref: \_\_\_\_\_

Date: \_\_\_\_\_

Sign: \_\_\_\_\_

**Swing door operator  
 EM PSW250-2  
 Double acting**

**ENTRE/MATIC**

15.0 1009172-EMen