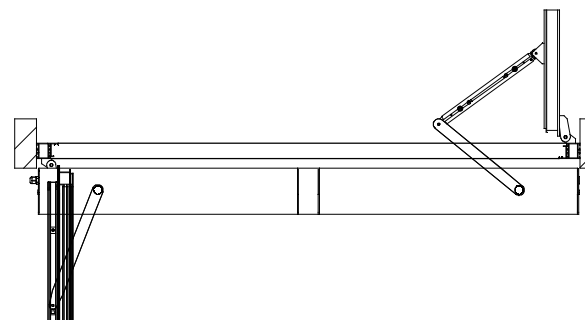
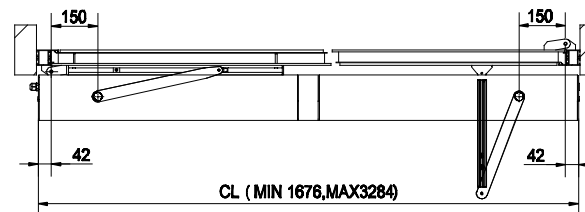
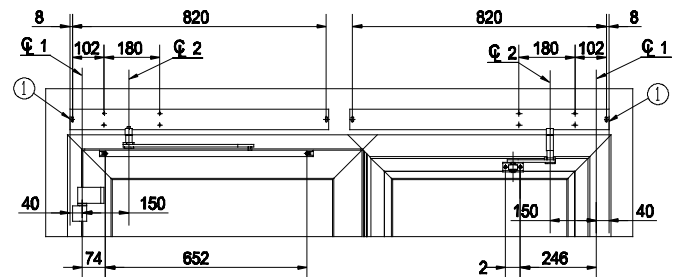


C 1: HINGES
 C 2: OPERATOR DRIVE SHAFT
 A: REVEAL 0-130MM
 1: CABLE INLET
 2: REINFORCEMENTS REQUIRED
 IN DOOR LEAF AT FIXING HOLES
 NOTE: STATE FULL COVER LENGTH
 CL WHEN ORDERING
 CL=HINGE CENTER LINE DISTANCE+84



Z	pull shaft extension	push shaft extension	X	Y
48	0	50	45-75	101
68	20	70	75-95	121

Customer:

Ref:

Door id:

Date:

Project No:

Sign:

SW300
PULL+PUSH ARM SYSTEM
DOUBLE EGRESS DOOR MODULAR COVER



1 1009998-EI