

STATE WHEN ORDERING

- Surface treatment**
- Silver anodized
 - Special anodized
 - RAL
 - Special powder coating

- Cover end plates**
- BK
 - SI

 - Basic
 - Fire door
 - Connection box
 - Connection plug

- Options see layers**
- Cover Standard
 - Cover Full length, CL = mm
R = mm
- If R is set to "0", no cutouts will be made.

- ⌀ 1 = Hinges
- ⌀ 2 = Operator drive shaft
- A = Reveal -20mm to 130mm
- 1 = Cable inlet
- 2 = Reinforcements required in door leaf and at fixing holes

Z	Shaft extension
48	0
68	20
98	50
118	70

Customer: _____

Door id: _____

Project No: _____

Ref: _____

Date: _____

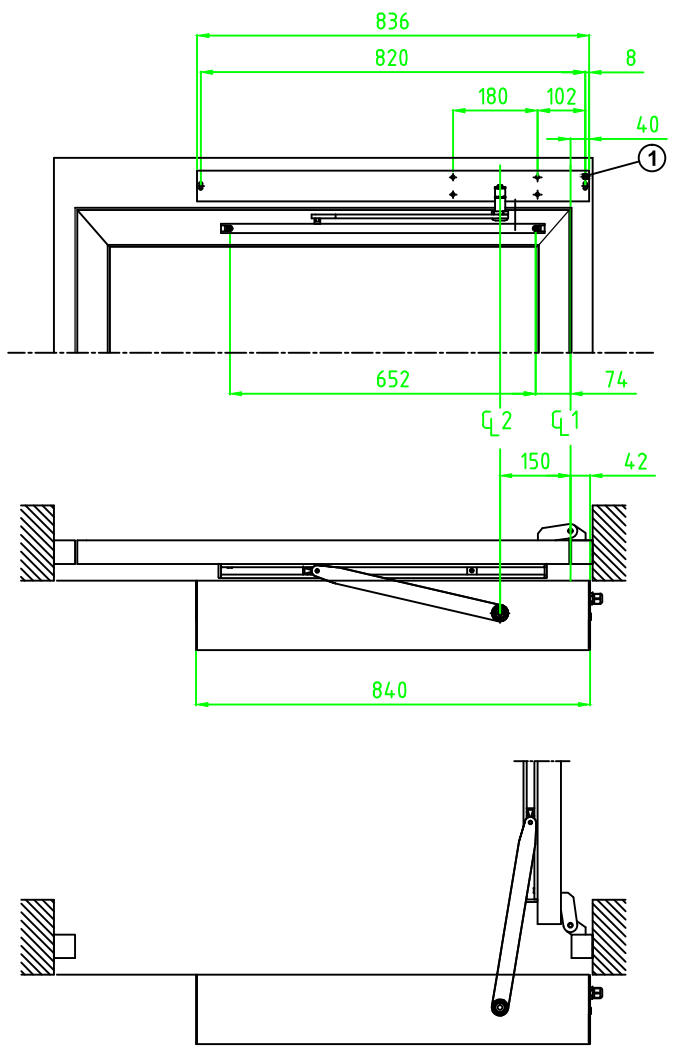
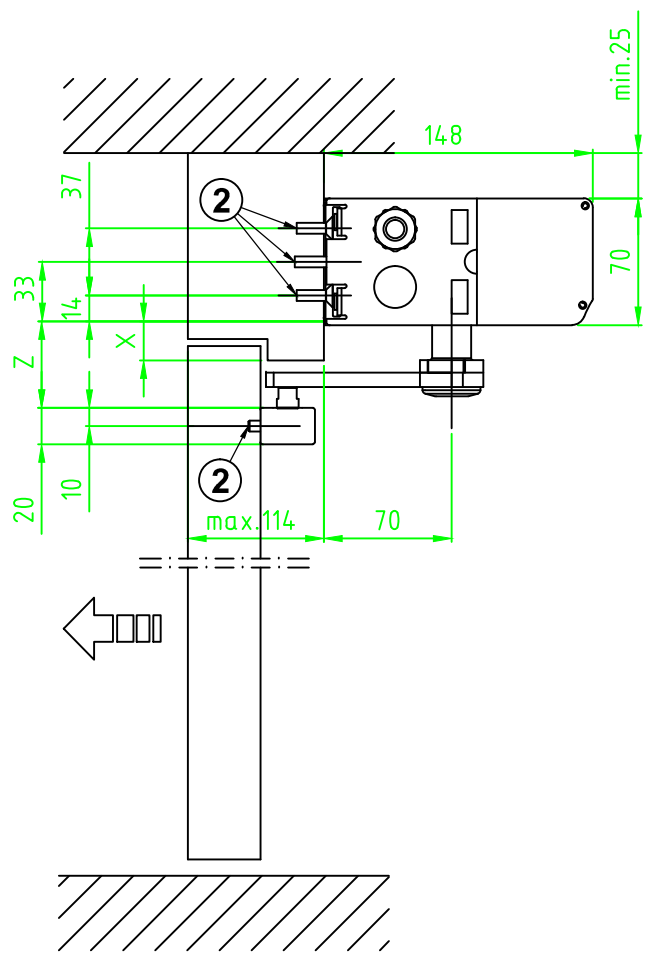
Sign: _____

Swing door operator
 Besam SW300-1(Art. No. 1009168)
 Besam SW150-1(Art. No. 1009169)
PULL, DIN Left

ASSA ABLOY

6.0 1009168-EI

© All rights in and to this material are the sole property of ASSA ABLOY Entrance Systems AB. Copying, scanning, alterations or modifications are expressly forbidden without the prior written consent of the applicable company within ASSA ABLOY Entrance Systems AB. Rights reserved for changes without prior notice.



STATE WHEN ORDERING

Surface treatment

- Silver anodized
- Special anodized
- RAL
- Special powder coating
-

Cover end plates

- BK
- SI

- Basic
- Fire door
- Connection box
- Connection plug

Options see layers

- Cover Standard
 - Cover Full length, CL = mm
S = mm
- If S is set to "0", no cutouts will be made.

- ⌀ 1 = Hinges
- ⌀ 2 = Operator drive shaft
- 1 = Cable inlet
- 2 = Reinforcements required in door leaf and at fixing holes

X	Z	Shaft extension
2-25	48	0
25-45	68	20
45-75	98	50
75-95	118	70

Customer: _____

Door id: _____

Project No: _____

Ref: _____

Date: _____

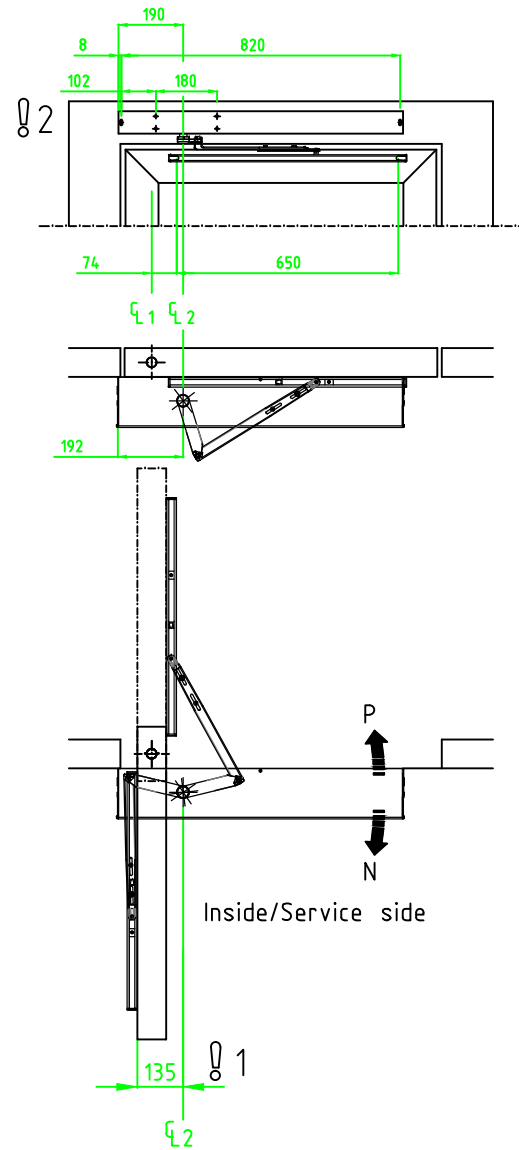
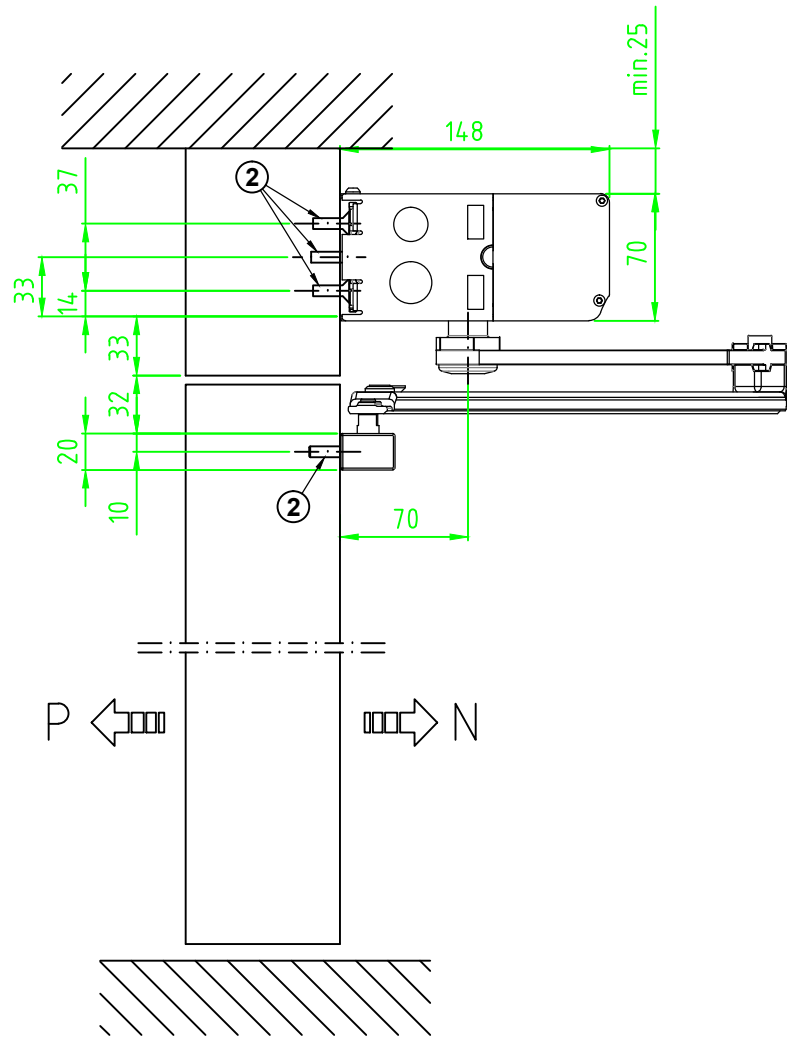
Sign: _____

Swing door operator
 Besam SW300-1(Art. No. 1009168)
 Besam SW150-1(Art. No. 1009169)
 Sliding PUSH, DIN Left

ASSA ABLOY

6.0 1009168-EI

© All rights in and to this material are the sole property of ASSA ABLOY Entrance Systems AB. Copying, scanning, alterations or modifications are expressly forbidden without the prior written consent of the applicable company within ASSA ABLOY Entrance Systems AB. Rights reserved for changes without prior notice.



STATE WHEN ORDERING

Surface treatment

- Silver anodized
- Special anodized
- RAL
- Special powder coating

Cover end plates

- BK
- SI
- Basic
- Fire door
- Connection box
- Connection plug

- C1 Pivot point
- C2 Operator drive shaft
- 1 Cable inlet
- 2 Reinforcements required in door leaf and at fixing holes
- N Normal opening direction
- P Escape opening direction

Customer:
Door id:
Project No:

Ref:
Date:
Sign:

Swing door operator
 Besam SW300 DA-1
 Arm system Double Acting, DIN Left
 Art. No. 1009168

ASSA ABLOY

6.0 1009168-EI